

Manual | Producthandleiding | Gebrauchsanweisung | Manuel du produit

Distribution by:

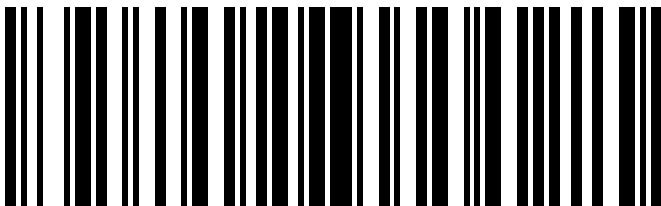
- Viking Choice; AP Onderdelen B.V., Doctor C. Lelyweg 6, 6827BH, Arnhem, Netherlands
- contact: sales@vikingchoice.nl

Offer EAN: 8720249190622

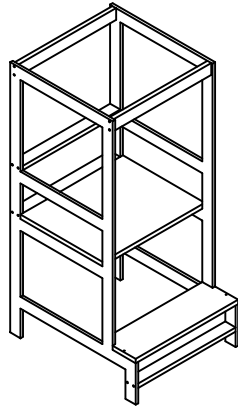
Related EAN: 5909229998967;8720249190622

Attached manuals:

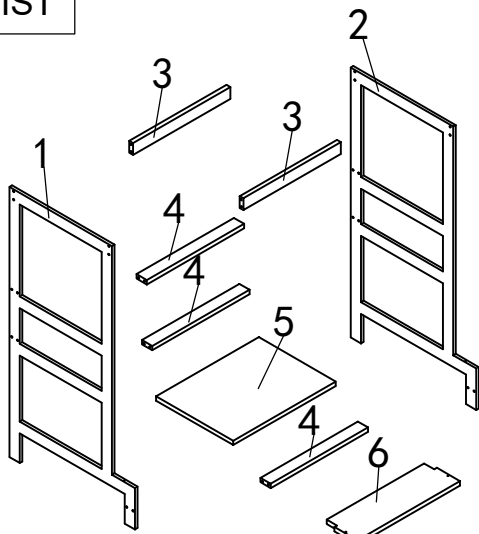
- 375246_Assemble%20Manual%20of%20375246.pdf








ASSEMBLY INSTRUCTIONS

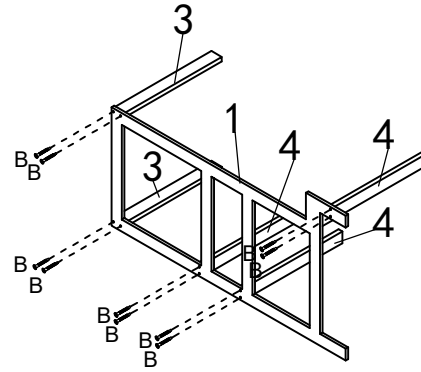


PART LIST

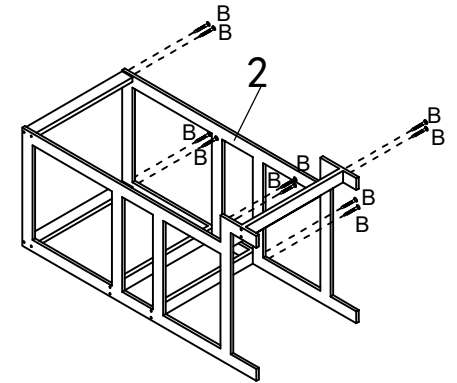


A	 M4x3.5 X2	B	 M6.5x4.5 X20
C	 X4	D	 X1
E	 X2		

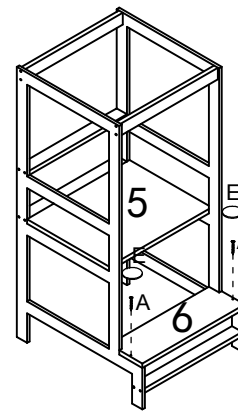
STEP 1



STEP 2



STEP 3



STEP 4

