

## **Manual | Producthandleiding | Gebrauchsanweisung | Manuel du produit**

---

Distribution by:

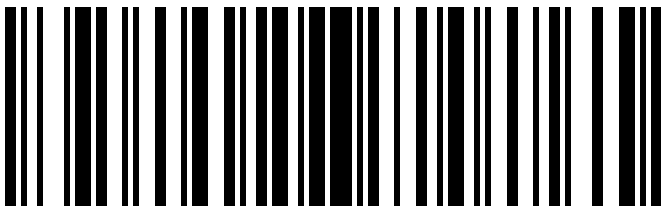
- Viking Choice; AP Onderdelen B.V., Doctor C. Lelyweg 6, 6827BH, Arnhem, Netherlands
- contact: sales@vikingchoice.nl

Offer EAN: 6291895076674

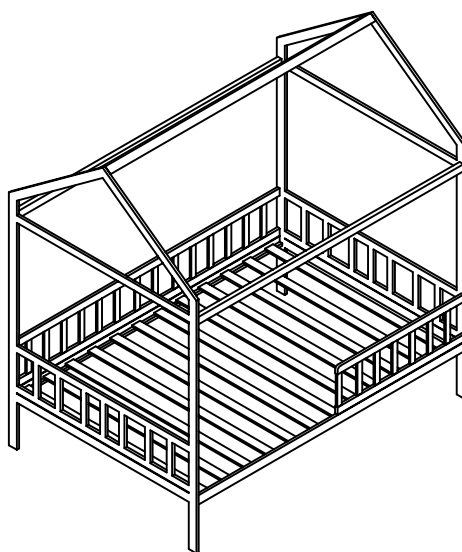
Related EAN: 6291895076674



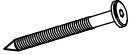


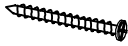
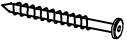

Attached manuals:

- 361933\_Assemble%20Manual%20of%20382693%20%20%20361933.pdf

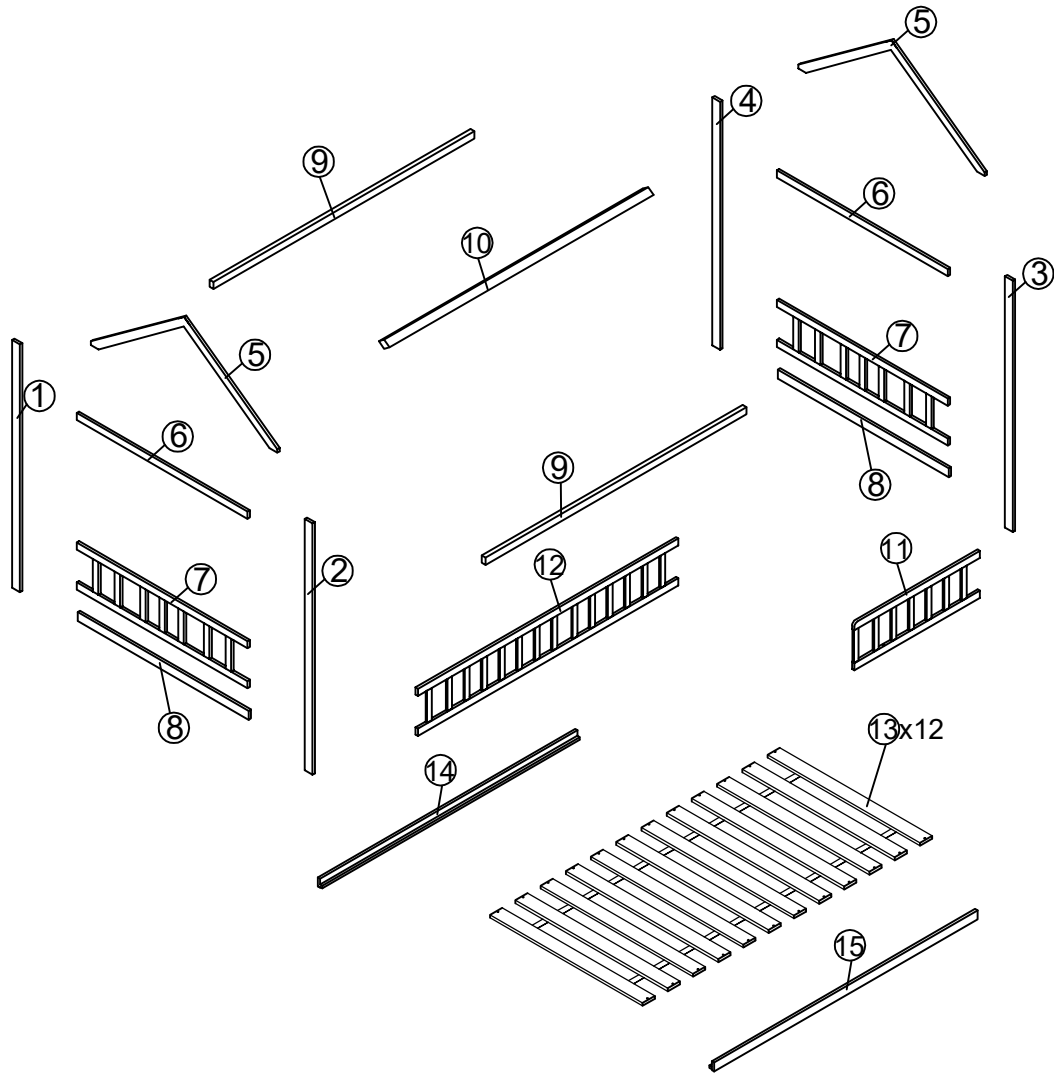


# Assemble instruction / Montage handleiding

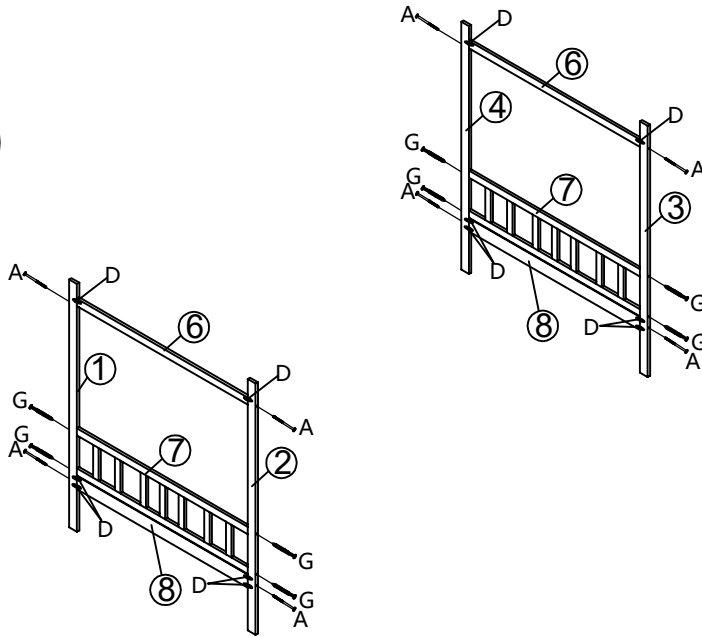
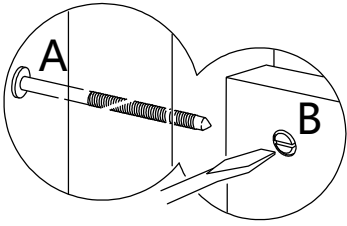


|   |   |   |   |   |  |
|---|---|---|---|---|--|
| <p>A X8</p>  <p>Ø6X90mm</p>    | <p>B X22</p>  <p>Ø6X13mm</p> | <p>C X14</p>  <p>Ø6X70mm</p> | <p>D X26</p>  <p>Ø8X30mm</p> | <p>E X1</p>  | <p>F X3</p>  <p>Ø4X70mm</p> |
| <p>G X12</p>  <p>Ø6.5X70mm</p> | <p>H X24</p>  <p>Ø4x25mm</p> |   |   |   |  |

# PART LIST

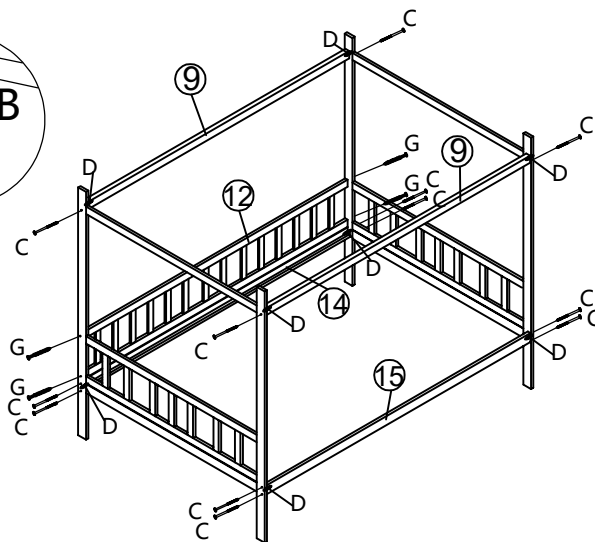
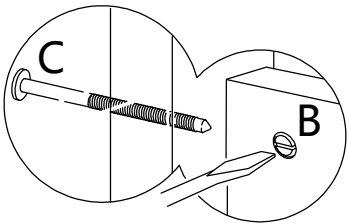


1



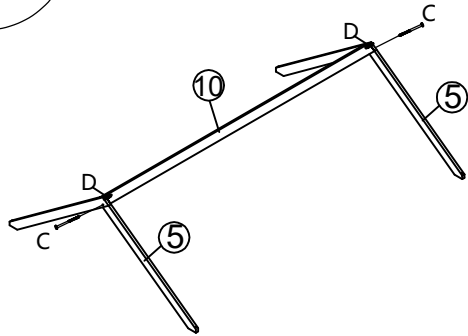
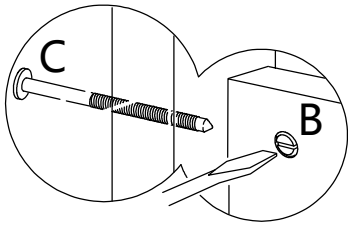
|         |    |         |    |         |     |           |    |
|---------|----|---------|----|---------|-----|-----------|----|
| A       | X8 | B       | X8 | D       | X12 | G         | X8 |
|         |    |         |    |         |     |           |    |
| ∅6X90mm |    | ∅6X13mm |    | ∅8X30mm |     | ∅6.5X70mm |    |

2



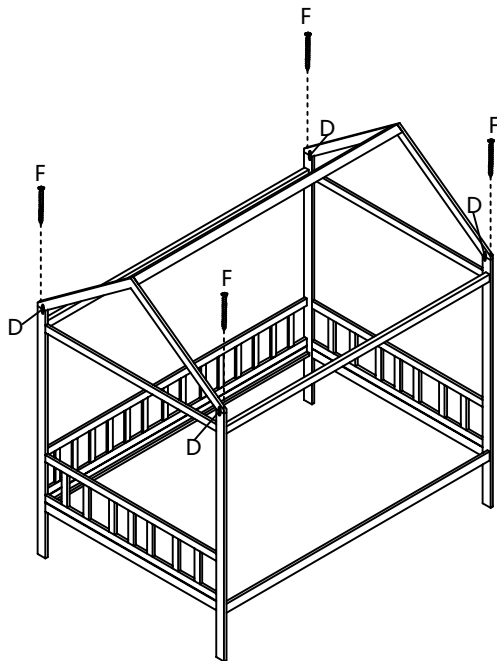
|         |     |          |     |         |    |           |    |
|---------|-----|----------|-----|---------|----|-----------|----|
| C       | X12 | B        | X12 | D       | X8 | G         | X4 |
|         |     |          |     |         |    |           |    |
| ∅6X70mm |     | ∅10X13mm |     | ∅8X40mm |    | ∅6.5X70mm |    |

3



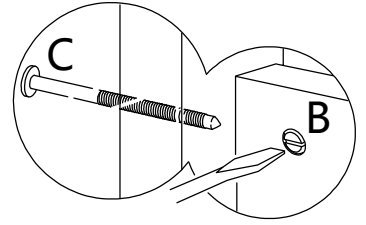
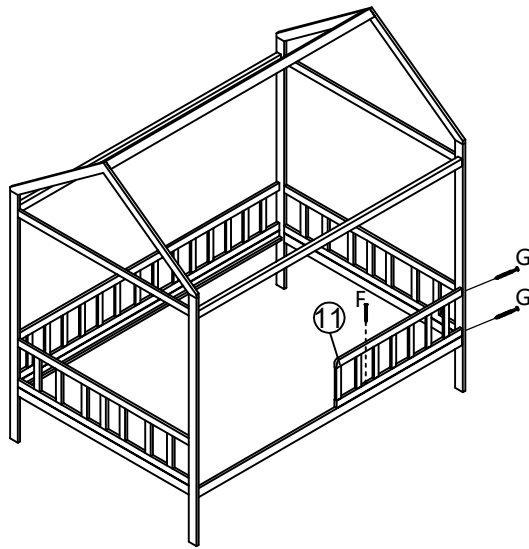
|         |     |          |     |         |    |
|---------|-----|----------|-----|---------|----|
| C       | X12 | B        | X12 | D       | X8 |
|         |     |          |     |         |    |
| Ø6X70mm |     | Ø10X13mm |     | Ø8X40mm |    |




4



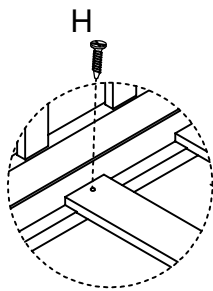
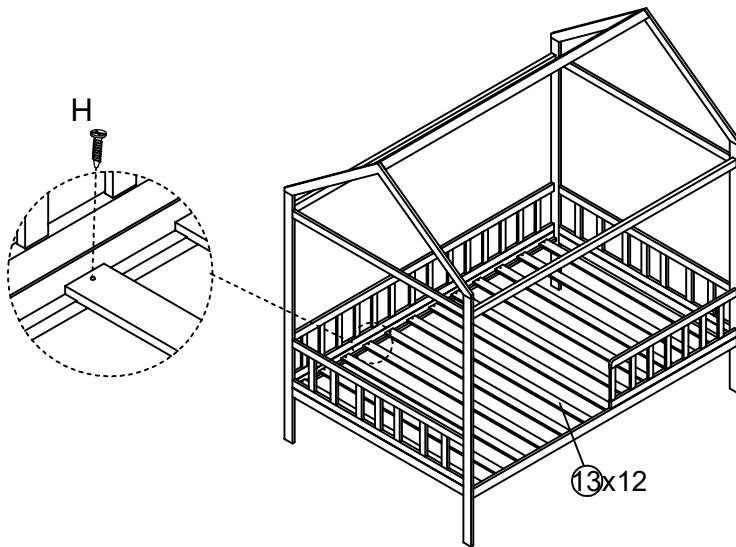
|         |    |           |    |
|---------|----|-----------|----|
| D       | X4 | F         | X4 |
|         |    |           |    |
| Ø8X40mm |    | Ø6.5X70mm |    |


5



|   |    |   |    |   |    |
|---|----|---|----|---|----|
| C   | X2 | B   | X2 | F   | X1 |
|  |    |  |    |  |    |
| Ø6X70mm   |    | Ø10X13mm  |    | Ø6.5X70mm   |    |

6



|   |     |
|---|-----|
| H   | X24 |
|  |     |
| Ø4x25mm   |     |